

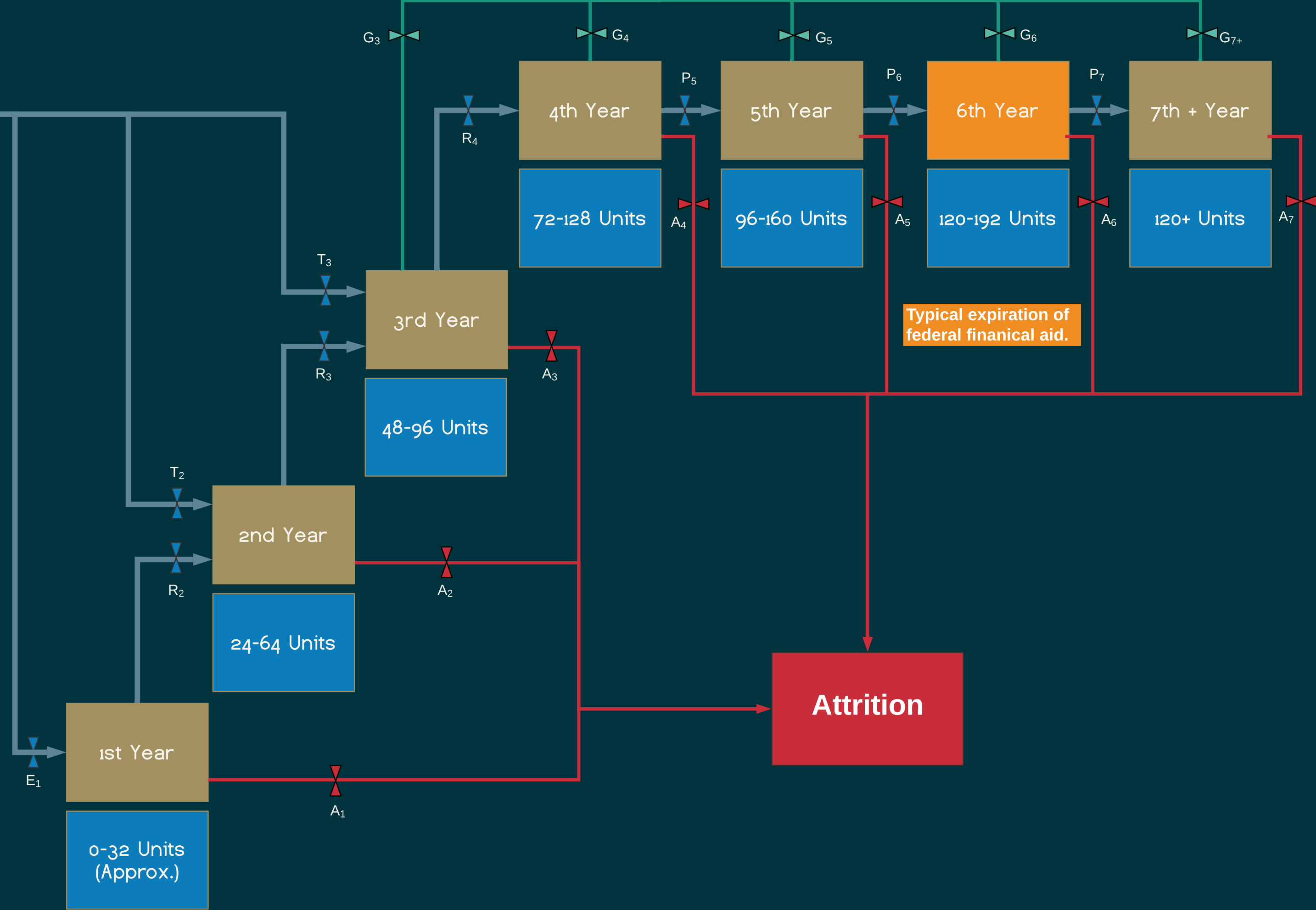
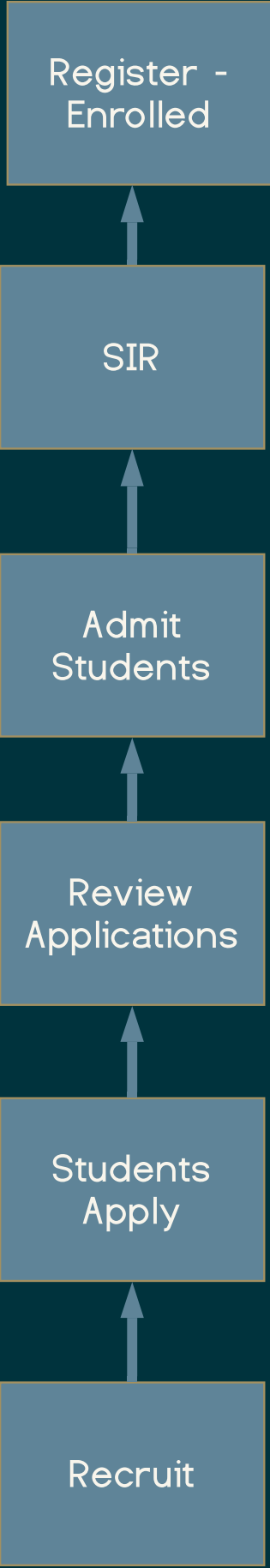
# Generalized Undergraduate Enrollment Flows

University of California, Merced  
Center of Institutional Effectiveness

**Graduation\***

\*Progress to Graduation requires satisfying degree requirements, not simply receiving quantity of credits.

## Admissions



Typical expiration of federal financial aid.

**Attrition**